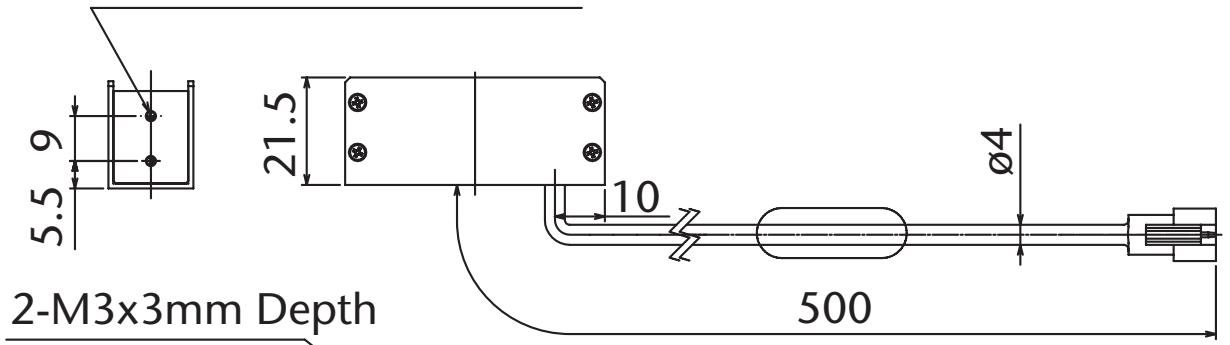


4-M2x4mm Depth
(Including Opposite Face)



2-M3x3mm Depth

