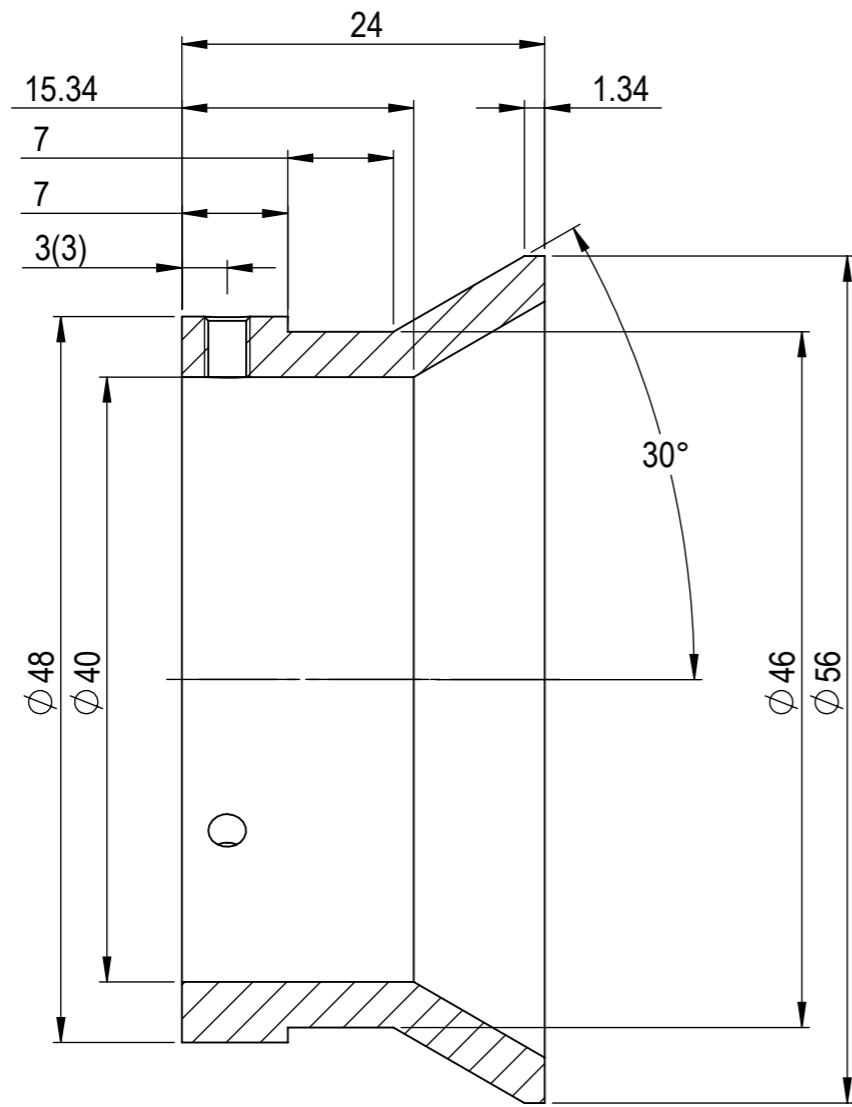


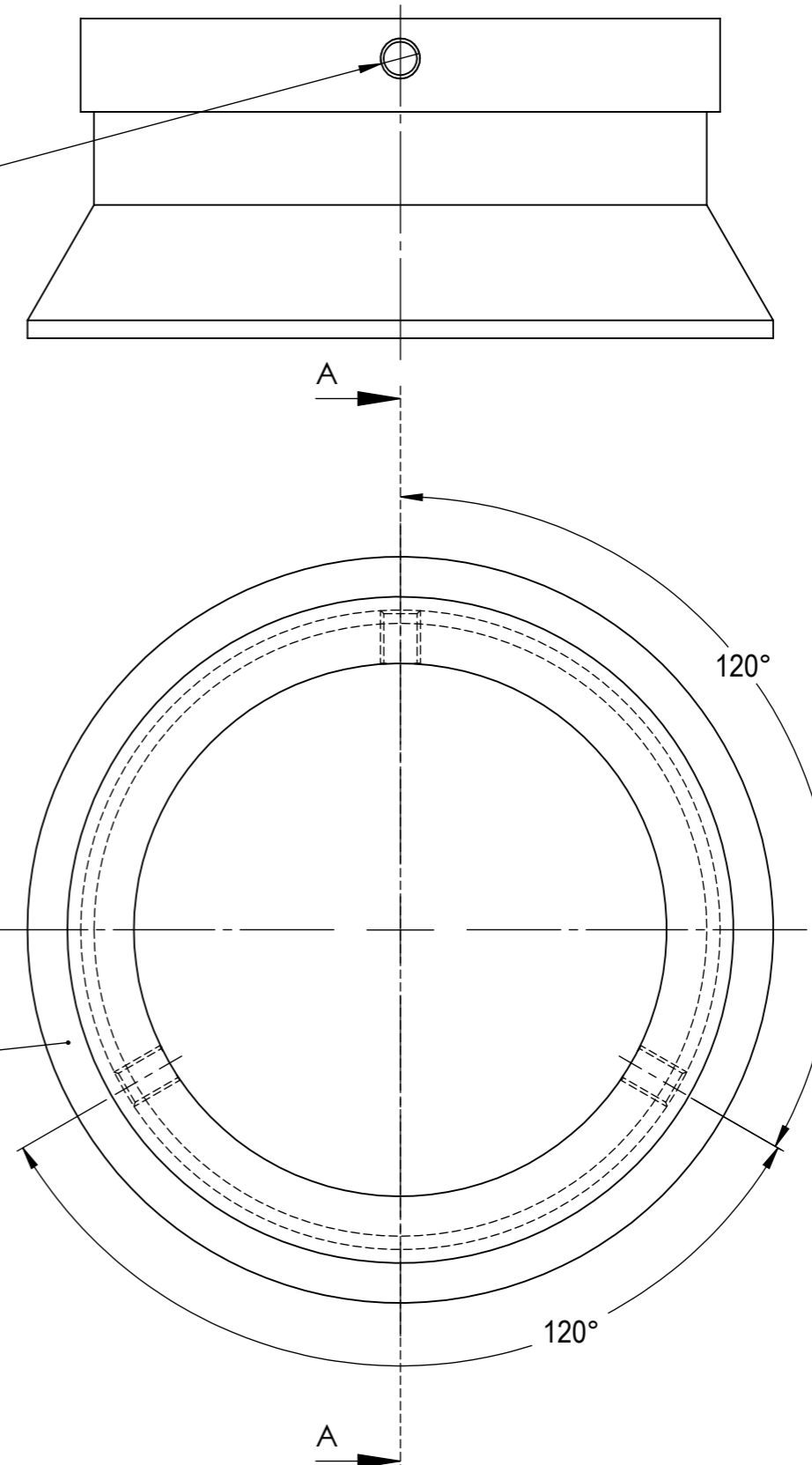
**RoHS
Compliance**



SECTION A-A

3-M3 Tapping Thru

1



LENGTH OF SHORT ONE ON THE BANK		120 < L < 400	±10'
L ≤ 10		±1°	
10 < L < 50		±30'	
50 < L < 120		±20'	
120 < L < 400		±10'	
L < 400		±5'	
TOL. A			
TOL. B			

ANGLE TOL.

ORIGINAL SIZE A-3

CLASS OF MEASURE		3 < L < 6	±1.0
L < 0.5		±0.5	
0.5 < L < 3		±0.2	
L < 0.5		IN DRW.	
TOL. A			
TOL. B			

CHAMFER TOL.

CLASS OF MEASURE		400 < L < 1000	±0.8
120 < L < 400		±0.5	
30 < L < 120		±0.3	
6 < L < 30		±0.2	
L < 6		±0.1	
TOL. A			
TOL. B			

3	Hexagon Wrench		
2	Hexagon Socket Set Screw		
1	Adapter Ring		

LENGTH TOL.

NO	PART DESCRIPTION	MODEL NUMBER	QTY	NOTE

DESIGNED	DRAWN	CHECKED	APPROVED	FINISH	UNIT : mm	
Jacky Wang	Jacky Wang	Yong Peng	Jonathan Li			
MARK	REV	DATE	CHANGE	SIGNATURE	MODEL NAME	
0	A00	20140215	NEW	JK	CV-DF-RLA-74X48-30	
TOLERANCE					PART NAME	
SCALE 2:1					OUTLINE DRAWING	
DRAWING NO.					REV	SHT
					A00	1/1