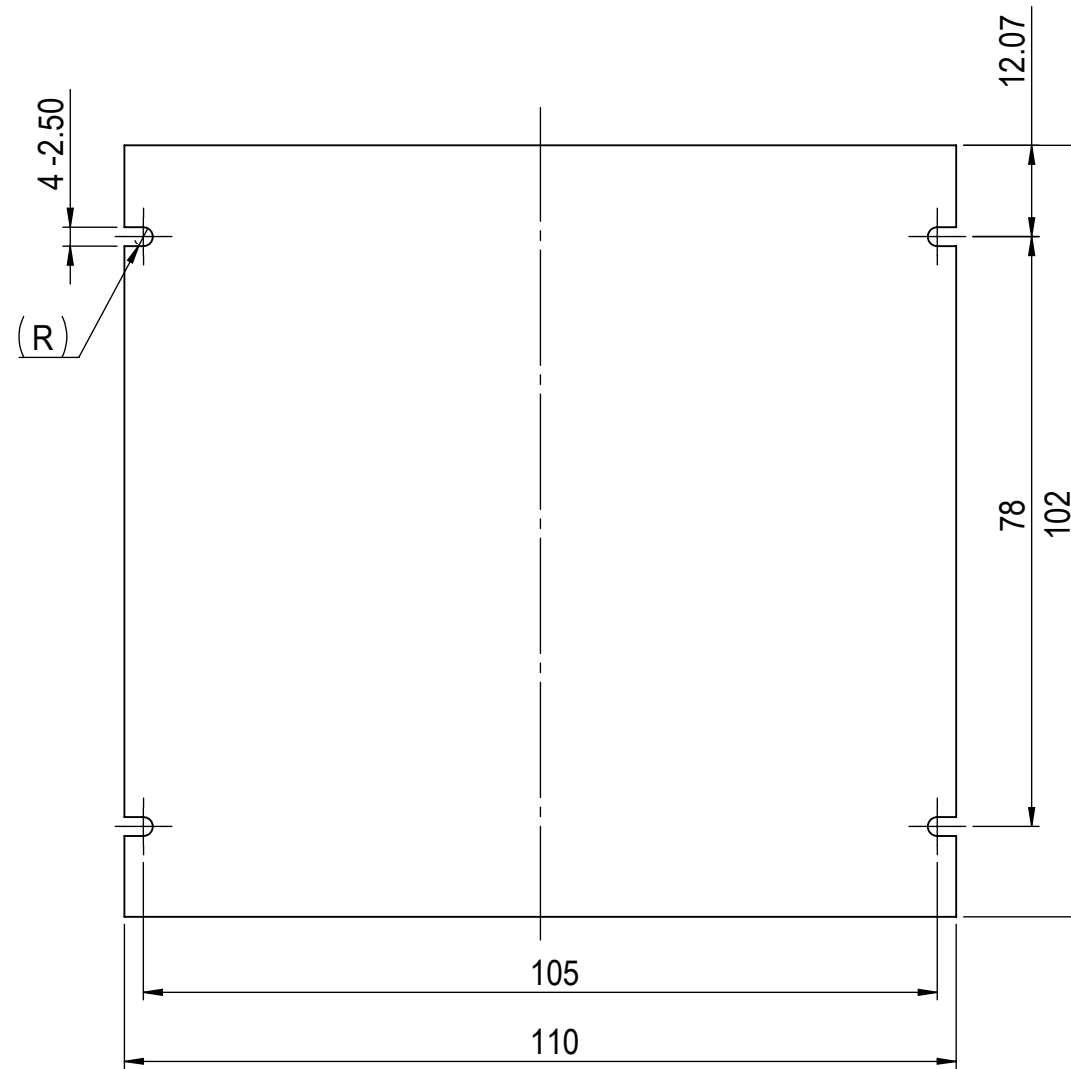


RoHS
Compliance



Louver Direction t=0.6mm

LENGTH OF SHORT ONE ON THE BANK			
L ≤ 10	10 < L ≤ 50	50 < L ≤ 120	120 < L ≤ 400
±1°	±30'	±20'	±10'
TOL. A	TOL. B		

ANGLE TOL.	
TOL. A	TOL. B

CLASS OF MEASURE			
L < 0.5	0.5 ≤ L ≤ 3	3 < L ≤ 6	6 < L
±0.2	±0.5	±1.0	±1.0
TOL. A	TOL. B		

CHAMFER TOL.	
TOL. A	TOL. B

CLASS OF MEASURE			
0.5 < L ≤ 6	6 < L ≤ 30	30 < L ≤ 120	120 < L ≤ 400
±0.05	±0.1	±0.15	±0.2
TOL. A	TOL. B		

LENGTH TOL.	
TOL. A	TOL. B

ORIGINAL SIZE-A-3

NO	PART DESCRIPTION	MODEL NUMBER	QTY	NOTE
2	Pan Head Screw			
1	Light Control Plate			

DESIGNED	DRAWN	CHECKED	APPROVED	FINISH
Jacky Wang	Jacky Wang	Yong Peng	Jonathan Li	
MARK	REV	DATE	CHANGE	SIGNATURE
00	A00	20140215	NEW	JK

UNIT : mm		MORITEX SCHOTT	
SURFACE ROUGHNESS		MODEL NAME	
MATERIAL		CV-LC-FL-100X100	
CHAMFER		PART NAME	
TOLERANCE		OUTLINE DRAWING	
SCALE 1:1		DRAWING NO.	REV A00 SHT 1/1