

RoHS
Compliance

LENGTH OF SHORT ONE ON THE BANK			
$L \leq 10$	$10 < L \leq 50$	$50 < L \leq 120$	$120 < L \leq 400$
$\pm 1^\circ$	$\pm 30'$	$\pm 20'$	$\pm 10'$
TOL. A	TOL. B		

ANGLE TOL.

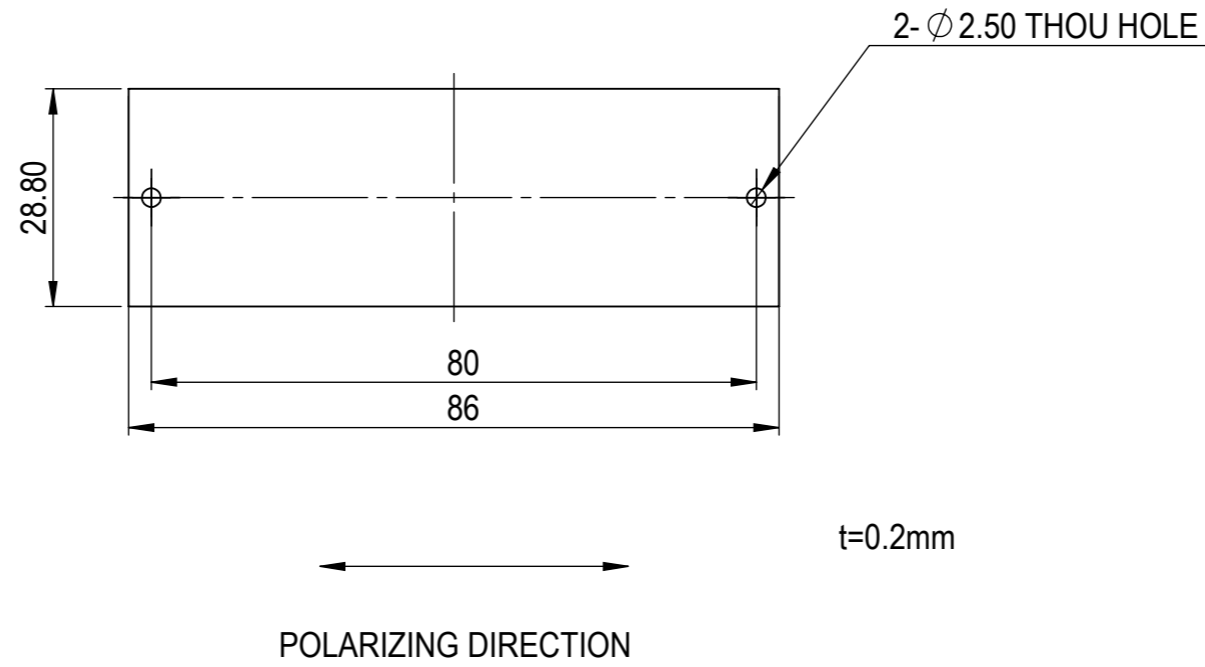
ORIGINAL SIZE-A-3

CLASS OF MEASURE			
$L < 0.5$	$0.5 \leq L \leq 3$	$3 < L \leq 6$	$6 < L$
IN DRW.	± 0.2	± 0.5	± 1.0
TOL. A	TOL. B		

CHAMFER TOL.

CLASS OF MEASURE			
$6 < L \leq 30$	$30 < L \leq 120$	$120 < L \leq 400$	$400 < L \leq 1000$
± 0.05	± 0.15	± 0.2	± 0.3
TOL. A	TOL. B		

LENGTH TOL.



				FINISH		UNIT : mm			
				SURFACE ROUGHNESS					
				MATERIAL		MODEL NAME			
				CHAMFER		CV-PL-BA-74X27			
				TOLERANCE		PART NAME			
				SCALE 1:1		OUTLINE DRAWING			
MARK		REV	DATE	CHANGE	SIGNATURE	DRAWING NO.		REV	SHT
DESIGNED		DRAWN		CHECKED	APPROVED	1460761		A00	1/1
Jacky Wang		Jacky Wang		Yong Peng	Jonathan Li				