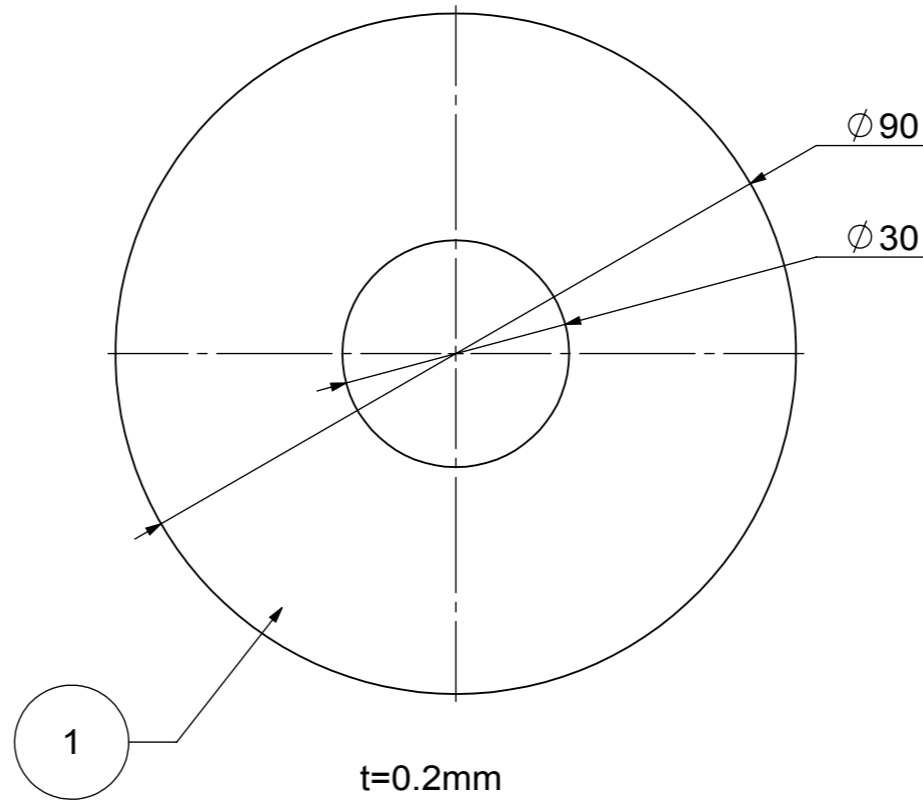


RoHS
Compliance



LENGTH OF SHORT ONE ON THE BANK			
L ≤ 10	10 < L ≤ 50	50 < L ≤ 120	120 < L ≤ 400
±1°	±30'	±20'	±10'
TOL. A	TOL. B		

ANGLE TOL.	
ORIGINAL SIZE-A-3	

CLASS OF MEASURE			
L < 0.5	0.5 ≤ L ≤ 3	3 < L ≤ 6	6 < L
IN DRW.	±0.2	±0.5	±1.0
TOL. A	TOL. B		

CHAMFER TOL.	
--------------	--

CLASS OF MEASURE			
0.5 < L ≤ 6	6 < L ≤ 30	30 < L ≤ 120	120 < L ≤ 400
±0.05	±0.1	±0.15	±0.2
±0.1	±0.2	±0.3	±0.5
TOL. A	TOL. B		

LENGTH TOL.	
-------------	--

NO	PART DESCRIPTION	MODEL NUMBER	QTY	NOTE
1	Polarizer Plate			

DESIGNED	DRAWN	CHECKED	APPROVED	FINISH	UNIT : mm			
Jacky Wang	Jacky Wang	Yong Peng	Jonathan Li					
MARK	REV	DATE	CHANGE	SIGNATURE	SURFACE ROUGHNESS			
0	A00	20140215	NEW	JK	MODEL NAME			
					CV-PL-R-90X30-80			
					PART NAME			
					OUTLINE DRAWING			
					DRAWING NO.		REV	SHT
							A00	1/1
					SCALE		1:1	