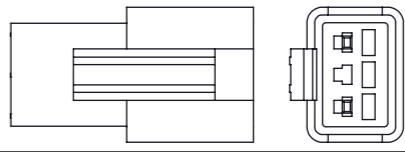
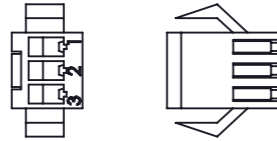
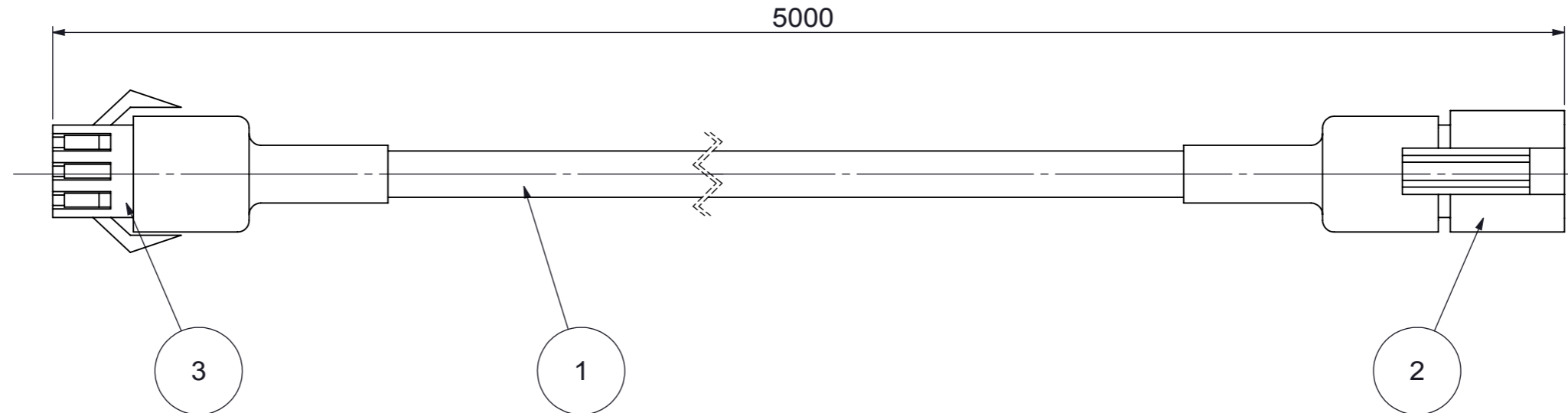


**RoHS  
Compliance**

JST SMR-03V-B Connector			
Ref. Drawing	No	Assign	Wire Color
	1	+V	Red/Brown
	2	NC	
	3	-V	Black/Blue
JST SMP-03V-BC Connector			
Ref. Drawing	No	Assign	Wire Color
	1	+V	Red/Brown
	2	NC	
	3	-V	Black/Blue



LENGTH OF SHORT ONE ON THE BANK			
L	TOL. A	TOL. B	
L ≤ 10	±1°	±10'	±5'
10 < L ≤ 50	±20'		
50 < L ≤ 120			
120 < L ≤ 400			
400 < L			


CLASS OF MEASURE			
L	IN DRW.		
L < 0.5	±0.2	±0.5	±1.0
0.5 ≤ L ≤ 3			
3 < L ≤ 6			
6 < L			

CLASS OF MEASURE			
L			
6 < L ≤ 30	±0.1	±0.2	±0.3
30 < L ≤ 120	±0.15	±0.3	±0.5
120 < L ≤ 400	±0.2	±0.5	±0.8
400 < L	±0.3	±0.5	±0.8

ORIGINAL SIZE-A-3

NO	PART DESCRIPTION	MODEL NUMBER	QTY	NOTE
3	SMP-03V-BC HOUSING			
2	SMR-03V-B HOUSING			
1	Cable			

FINISH	UNIT : mm		
SURFACE ROUGHNESS	MODEL NAME	JST-5M-JST-1W	
MATERIAL	PART NAME	OUTLINE DRAWING	
CHAMFER	DRAWING NO.	REV	SHT
TOLERANCE	1459999	A00	1/1
SCALE 2:1			

MARK	REV	DATE	CHANGE	SIGNATURE
△*x	A00	20140213	NEW	JK
DESIGNED	DRAWN	CHECKED	APPROVED	
Jacky Wang	Jacky Wang	Yong Peng	Jonathan Li	