

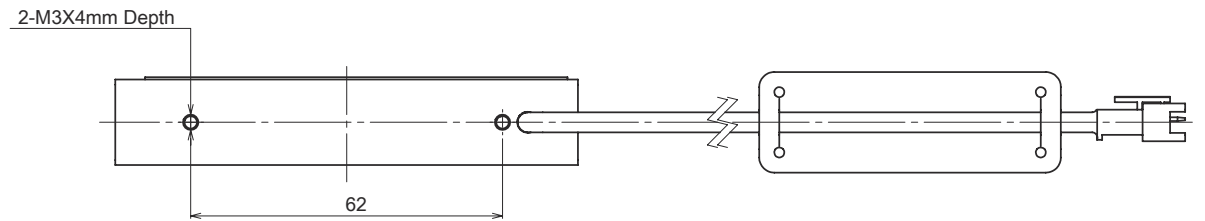
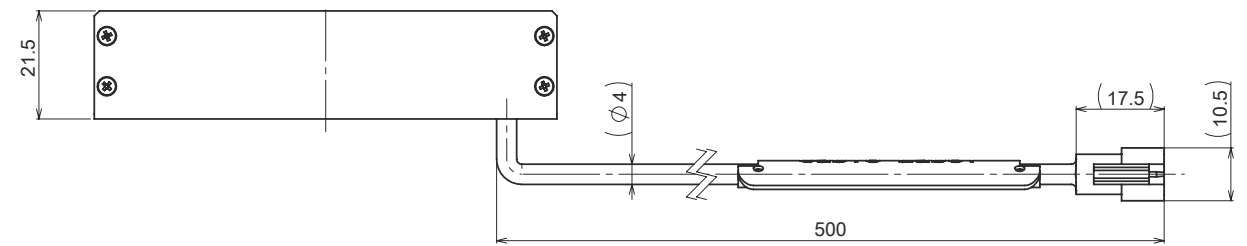
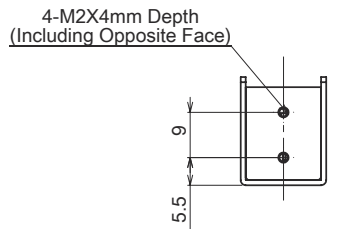
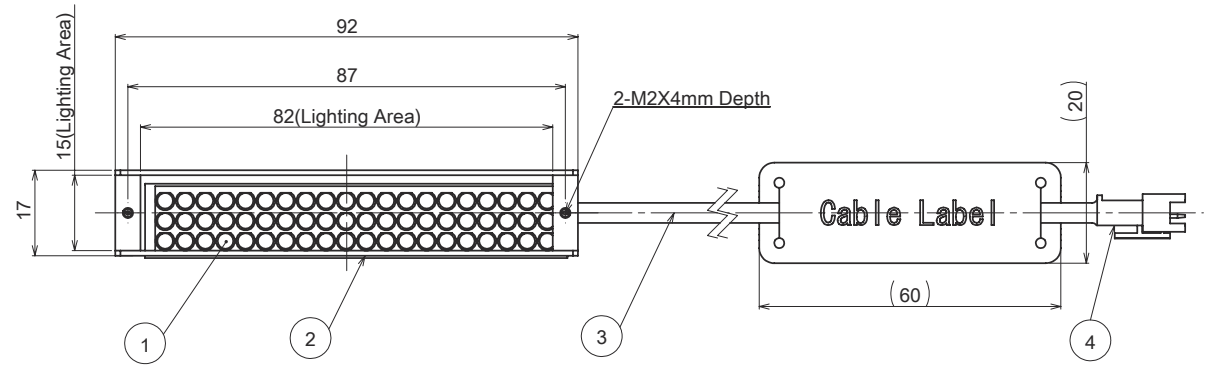
A	LENGTH OF SHORTER SIDE OF ANGLE	L ≤ 10	10 < L ≤ 50	50 < L ≤ 120	120 < L ≤ 400	400 < L
	CLASS	f	m	m	m	m
B	ANGLE TOLERANCE	±1°	±10'	±20'	±10'	±5'
	ORIGINAL SHEET FORMAT SIZE - A3					
C	STANDARD DIMENSION RANGE	L < 0.2	0.2 ≤ L ≤ 0.5	0.5 < L ≤ 3	3 < L ≤ 6	6 < L
	CLASS	IN DRW.	±0.1	±0.2	±0.5	±1.0
D	CHAMFER TOLERANCE					
	CLASS					
E	STANDARD DIMENSION RANGE	L < 0.2	0.2 ≤ L ≤ 0.5	0.5 < L ≤ 10	10 < L ≤ 400	400 < L
	CLASS	IN DRW.	±0.05	±0.1	±0.2	±0.3
F	LENGTH TOLERANCE					
	NO.					

CLASS	NOMINAL LENGTH						PERPENDICULARITY TOLERANCE
	L ≤ 10	10 < L ≤ 30	30 < L ≤ 100	100 < L ≤ 300	300 < L ≤ 1000	1000 < L ≤ 3000	
H	±0.02	±0.05	±0.1	±0.2	±0.3	±0.4	K
K	±0.05	±0.1	±0.2	±0.4	±0.6	±0.8	

CLASS	NOMINAL LENGTH ON SHORTER SIDE			
	L ≤ 100	100 < L ≤ 300	300 < L ≤ 1000	1000 < L ≤ 3000
H	±0.2	±0.3	±0.4	±0.5
K	±0.4	±0.6	±0.8	±1.0

Absolute Max. Rating / 最大定格	DC 24V
Total Power / 消費電力合計	1.7W
Mass / 質量	-

No	Assign
1P	+V
3P	-V



6					
5					
4	CONNECTOR	SMR-03V-B	1	JST MALE CONNERTOR	
3	Cable/电线		1		
2	Housing/外壳		1		
1	LED/发光二极管		-		
NO.	PART DESCRIPTION	MODEL NUMBER	QU.	NOTE	
2					
3					
4					
5					
6					
7					
8					

△x						FINISH	UNIT:mm	 Vision Creating Value
△x						SURFACE		
△x						MATERIAL	MODEL NAME	CV-BA-82X15R
△x	A-001	2020.Feb.28	New			CHANGE	PART NAME	OUTLINE DRAWING
DESIGNED	xianghuiiu	DRAWN	xianghuiiu	CHECKED	Yong	APPROVED	DRAWING NO.	A21807A0100201A-001
SCALE		1:1				SHEET		1/1