

1
2
3
4
5
6
7
8

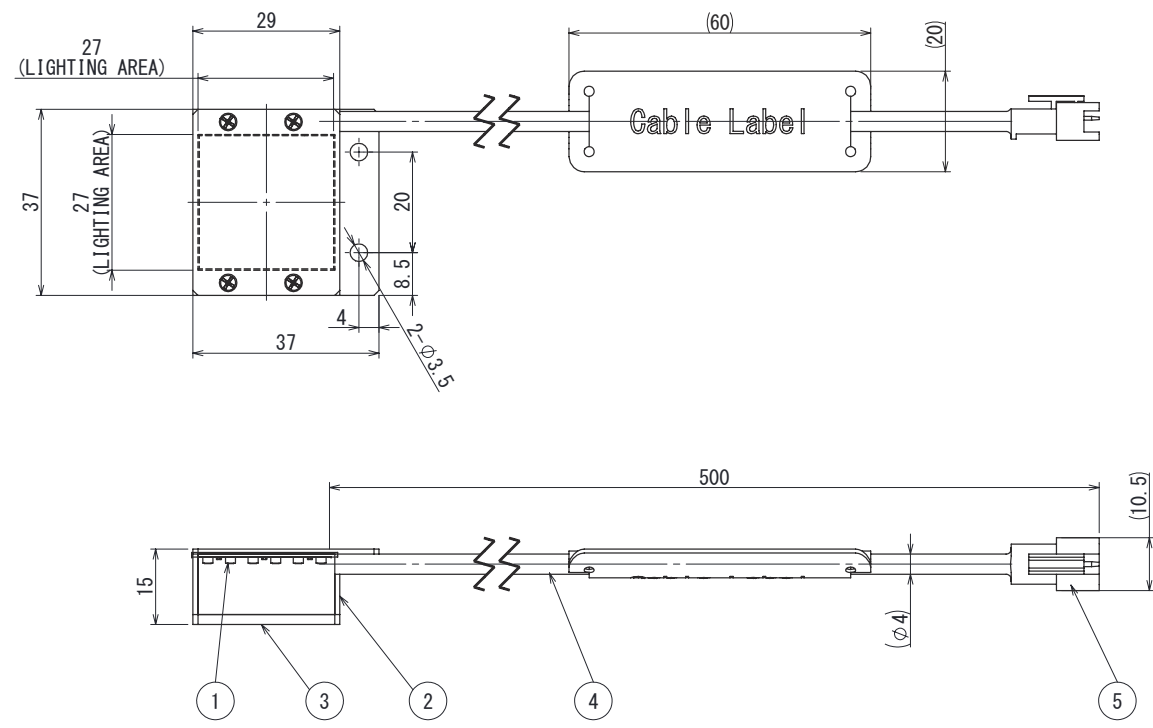
A
B
C
D
E
F

CLASS	NOMINAL LENGTH						PERPENDICULARITY TOLERANCE	CLASS	NOMINAL LENGTH ON SHORTER SIDE			
	L ≤ 10	10 < L ≤ 30	30 < L ≤ 100	100 < L ≤ 300	300 < L ≤ 1000	1000 < L ≤ 3000			L ≤ 100	100 < L ≤ 300	300 < L ≤ 1000	1000 < L ≤ 3000
H	±0.02	±0.05	±0.1	±0.2	±0.3	±0.4	H	±0.2	±0.3	±0.4	±0.5	
K	±0.05	±0.1	±0.2	±0.4	±0.6	±0.8	K	±0.4	±0.6	±0.8	±1.0	

Absolute Max. Rating / 最大定格	DC24V
Total Power / 消費電力合計	0.6W



CN1	Assign / 信号
1	+V
2	NC
3	-V



CLASS	STANDARD DIMENSION RANGE	NO.	PART DESCRIPTION	MODEL NUMBER	QU.	NOTE
L < 0.2	0.2 ≤ L ≤ 0.5	7				
6 < L ≤ 6	0.5 ≤ L ≤ 3	6				
6 < L ≤ 6	3 < L ≤ 6	5	CONNECTOR	SMR-03V-B	1	JST/Paired Connector:SMP-03V-BC
6 < L ≤ 6	6 < L ≤ 10	4	CABLE		1	
6 < L ≤ 6	10 < L ≤ 15	3	DIFFUSER PLATE		1	
6 < L ≤ 6	15 < L ≤ 30	2	HOUSING		1	Aluminium Alloy/Mat Black Anodizing
6 < L ≤ 6	30 < L ≤ 400	1	LED(Red)		-	

DESIGNED	Xianguhuiiu	DRAWN	Xianguhuiiu	CHECKED	Yong	APPROVED	[Signature]	FINISH		UNIT:mm	MORITEX Vision Creating Value
MARK	A-001	COM-REV	2020.Mar.12	CHANGE	旧图纸号变更	SIGNATURE		SURFACE	-	MODEL NAME	CV-FL-27X27R
								MATERIAL	-	PART NAME	OUTLINE DRAWING
								CHAMFER	-	DRAWING NO.	A21817A0100201A-001
								TOLERANCE CLASS	-	SHEET	1/1
								SCALE	1:1		