

1
2
3
4
5
6
7
8

A
B
C
D
E
F

RoHS

| | |
|-----------------------------|-------|
| Absolute Max. Rating / 最大定格 | 24VDC |
| Total Power / 消費電力合計 | 1.7W |

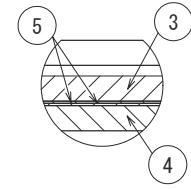
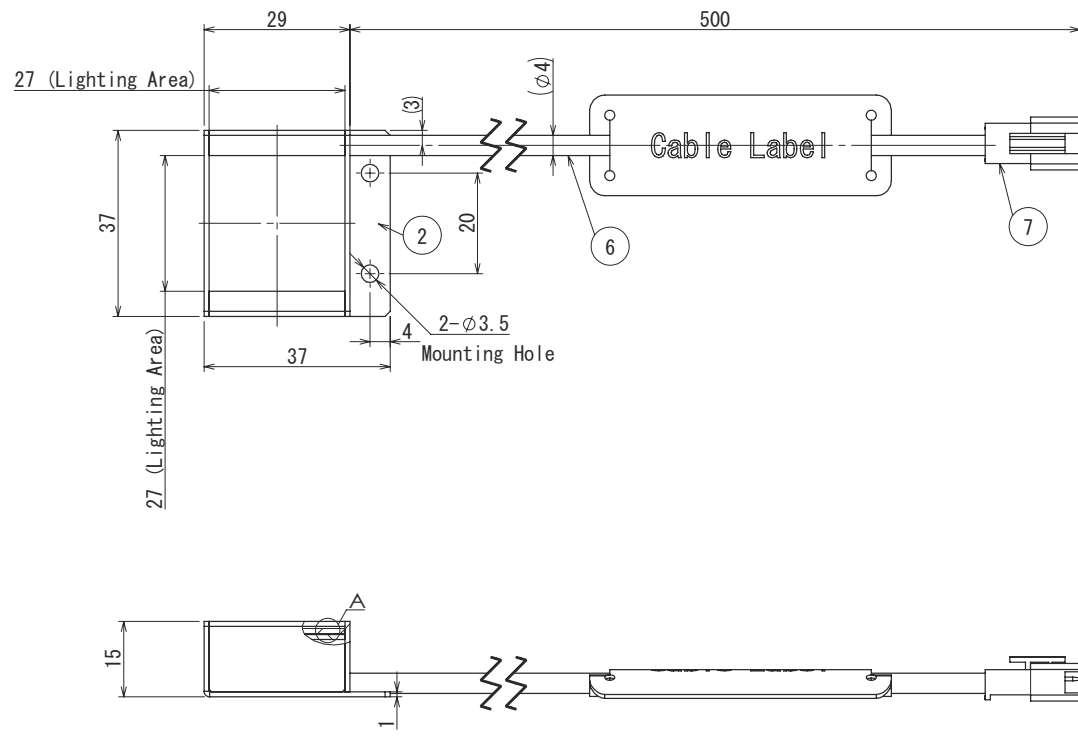
| CN1 | Assign / 信号 |
|-----|-------------|
| 1 | +V |
| 2 | NC |
| 3 | -V |

| CLASS | NOMINAL LENGTH | | | | | | PERPENDICULARITY TOLERANCE | CLASS | NOMINAL LENGTH ON SHORTER SIDE | | | |
|-------|----------------|-------------|--------------|---------------|----------------|-----------------|----------------------------|-------|--------------------------------|---------------|----------------|-----------------|
| | L ≤ 10 | 10 < L ≤ 30 | 30 < L ≤ 100 | 100 < L ≤ 300 | 300 < L ≤ 1000 | 1000 < L ≤ 3000 | | | L ≤ 100 | 100 < L ≤ 300 | 300 < L ≤ 1000 | 1000 < L ≤ 3000 |
| H | ±0.02 | ±0.05 | ±0.1 | ±0.2 | ±0.3 | ±0.4 | H | ±0.2 | ±0.3 | ±0.4 | ±0.5 | |
| K | ±0.05 | ±0.1 | ±0.2 | ±0.4 | ±0.6 | ±0.8 | K | ±0.4 | ±0.6 | ±0.8 | ±1.0 | |

| CLASS | LENGTH OF SHORTER SIDE OF ANGLE | | ANGLE TOLERANCE | ORIGINAL SHEET FORMAT SIZE-A3 |
|-------|---------------------------------|-------------|-----------------|-------------------------------|
| | L ≤ 10 | 10 < L ≤ 50 | | |
| H | ±1° | ±1° | f | m |
| K | ±1° | ±1° | f | m |

| CLASS | STANDARD DIMENSION RANGE | | | |
|-------|--------------------------|---------------|-------------|-----------|
| | L < 0.2 | 0.2 ≤ L ≤ 0.5 | 0.5 ≤ L ≤ 3 | 3 < L ≤ 6 |
| H | ±0.05 | ±0.1 | ±0.2 | ±0.5 |
| K | ±0.1 | ±0.2 | ±0.5 | ±1.0 |

| CLASS | STANDARD DIMENSION RANGE | | | |
|-------|--------------------------|---------------|-------------|-----------|
| | L < 0.2 | 0.2 ≤ L ≤ 0.5 | 0.5 ≤ L ≤ 3 | 3 < L ≤ 6 |
| H | ±0.05 | ±0.1 | ±0.2 | ±0.5 |
| K | ±0.1 | ±0.2 | ±0.5 | ±1.0 |



DETAIL A
SCALE 5 : 1

| CLASS | NO. | PART DESCRIPTION | MODEL NUMBER | QU. | NOTE |
|-------|-----|------------------|--------------|-----|-------------------------------------|
| F | 7 | CONNECTOR | SMR-03V-B | 1 | JST/Paired Connector:SMP-03V-BC |
| F | 6 | CABLE | | 1 | |
| F | 5 | OPTICAL SHEET | | 2 | |
| F | 4 | DIFFUSER PLATE | | 1 | |
| F | 3 | COVER PLATE | | 1 | CLEAR PMMA |
| F | 2 | HOUSING | | 1 | Aluminium Alloy/Mat Black Anodizing |
| F | 1 | LED(GREED) | | | |

| | | | | | | | |
|----|----------|-------------|---------|----------|-----------------|-----------|---------------------------|
| △x | | | | | FINISH | UNIT:mm | Vision Creating Value |
| △x | | | | | SURFACE | | |
| △x | | | | | MATERIAL | | MODEL NAME |
| △x | A-001 | 2017.Apr.25 | NEW | | | | CV-NFL-27X27G |
| △x | | | | | CHANGE | SIGNATURE | PART NAME |
| | DESIGNED | DRAWN | CHECKED | APPROVED | | | OUTLINE DRAWING |
| | Yang Ye | Yang Ye | Yang | | CHAMFER | | DRAWING NO. |
| | | | | | TOLERANCE CLASS | | A22868A0100201A-001 |
| | | | | | SCALE | 1:1 | SHEET |
| | | | | | | | 1/1 |