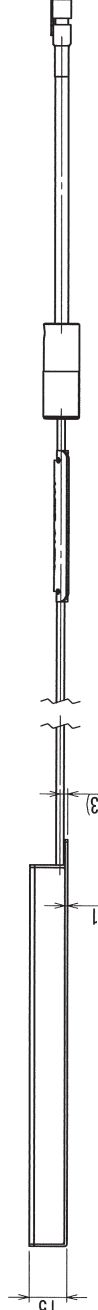
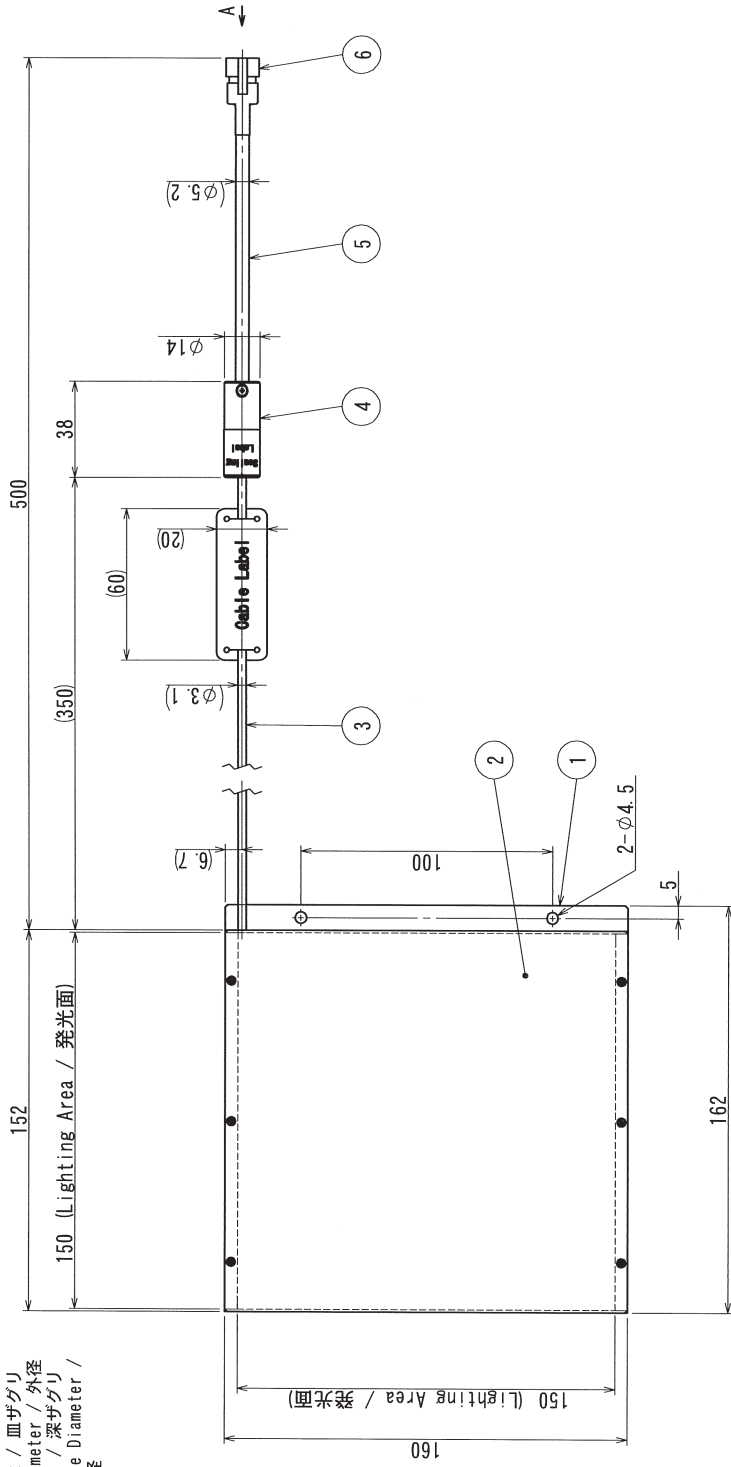


RoHS Compliance

Notes:
 CSK = Countersink / 皿ザグリ
 OD = Outside Diameter / 外径
 CBORE = Counterbore / 深ザグリ
 PCD = Pitch Circle Diameter / ピッチ円直径

Absolute Max. Rating / 最大定格	0.99 A
Total Power / 消費電力合計	12 W
Mass / 質量	310 g

CNT	Ass'n / 信号
1	+V
2	+S
3	-S
4	-V



CLASS OF MEASURE	TOL. A		TOL. B	
	400 < L	120 < L	5 < L	120 < L
LENGTH	±0.3	±0.2	±0.5	±0.8
ANGLE	±1°	±1°	±10'	±10'
CLASS OF MEASURE	TOL. A		TOL. B	
	6 < L	3 < L	5 < L	120 < L
CHAMFER TOL.	±0.3	±0.2	±0.5	±0.8
CLASS OF MEASURE	TOL. A		TOL. B	
	120 < L	5 < L	120 < L	5 < L
CHAMFER TOL.	±0.3	±0.2	±0.5	±0.8

PART DESCRIPTION	MODEL NUMBER	QU.	NOTE
LED (Red)			
Connector	SMR-04V-B	1	JST / Paired Connector: SMR-04V-BC Contact: SHF-001T-0.8BS
Cable	KVC36-0.2-2P	1	KURAMO
SENS BOX	Aluminum Alloy / Mat Black Anodizing	1	
Cable	KVC36-0.2-1P	1	KURAMO
Diffuser Plate	Acrylic	1	
Housing	Aluminum Alloy / Mat Black Anodizing	1	

FINISH	-
SURFACE	-
MATERIAL	Takekura Tazaki
CHAMFER	-
TOLERANCE	-
SCALE	1:2

UNIT: mm	
MODEL NAME	MDBC-CR150
PART NAME	OUTLINE DRAWING / 外觀図
DRAWING NO.	A09322A0100101A-003
SHT	1/1

MARK	COM-REV	DATE	DESIGNED	DRAWN	CHECKED	APPROVED
△x	A-003	21/Sep/12	Add Label	Change Form	Takekura	
△x	A-002	27/Aug/10	Change Dimension	etc.	Tazaki	
DATE	12.11.29	DATE	12.11.29	DATE	12.11.29	DATE

DESIGNED	Itto
DRAWN	Itto
CHECKED	Itto
APPROVED	Itto

Copyright © 2012 MORITEX SCHOTT