

CLASS	STANDARD DIMENSION RANGE						
	L < 10	10 < L ≤ 30	30 < L ≤ 100	100 < L ≤ 300	300 < L ≤ 1000	1000 < L ≤ 3000	400 < L ≤ 1200
f	±0.05	±0.1	±0.2	±0.3	±0.4	±0.5	±0.8
m	±0.1	±0.2	±0.3	±0.4	±0.5	±0.8	±1.0
CLASS	STANDARD DIMENSION RANGE						
	L < 0.2	0.2 ≤ L ≤ 0.5	0.5 ≤ L ≤ 3	3 ≤ L ≤ 6	6 < L ≤ 30	30 < L ≤ 120	120 < L ≤ 400
f	±0.01	±0.02	±0.05	±0.1	±0.2	±0.5	±1.0
m	±0.02	±0.05	±0.1	±0.2	±0.5	±1.0	±1.5
CLASS	STANDARD DIMENSION RANGE						
	L < 10	10 < L ≤ 30	30 < L ≤ 100	100 < L ≤ 300	300 < L ≤ 1000	1000 < L ≤ 3000	400 < L ≤ 1200
f	±0.02	±0.05	±0.1	±0.2	±0.3	±0.4	±0.5
m	±0.05	±0.1	±0.2	±0.3	±0.4	±0.5	±0.8
CLASS	STANDARD DIMENSION RANGE						
	L < 0.2	0.2 ≤ L ≤ 0.5	0.5 ≤ L ≤ 3	3 ≤ L ≤ 6	6 < L ≤ 30	30 < L ≤ 120	120 < L ≤ 400
f	±0.01	±0.02	±0.05	±0.1	±0.2	±0.5	±1.0
m	±0.02	±0.05	±0.1	±0.2	±0.5	±1.0	±1.5
CLASS	STANDARD DIMENSION RANGE						
	L < 10	10 < L ≤ 30	30 < L ≤ 100	100 < L ≤ 300	300 < L ≤ 1000	1000 < L ≤ 3000	400 < L ≤ 1200
f	±0.02	±0.05	±0.1	±0.2	±0.3	±0.4	±0.5
m	±0.05	±0.1	±0.2	±0.3	±0.4	±0.5	±0.8

CLASS	STANDARD DIMENSION RANGE						
	L < 10	10 < L ≤ 30	30 < L ≤ 100	100 < L ≤ 300	300 < L ≤ 1000	1000 < L ≤ 3000	400 < L ≤ 1200
f	±0.02	±0.05	±0.1	±0.2	±0.3	±0.4	±0.5
m	±0.05	±0.1	±0.2	±0.3	±0.4	±0.5	±0.8
CLASS	STANDARD DIMENSION RANGE						
	L < 10	10 < L ≤ 30	30 < L ≤ 100	100 < L ≤ 300	300 < L ≤ 1000	1000 < L ≤ 3000	400 < L ≤ 1200
f	±0.02	±0.05	±0.1	±0.2	±0.3	±0.4	±0.5
m	±0.05	±0.1	±0.2	±0.3	±0.4	±0.5	±0.8

CLASS	STANDARD DIMENSION RANGE						
	L < 10	10 < L ≤ 30	30 < L ≤ 100	100 < L ≤ 300	300 < L ≤ 1000	1000 < L ≤ 3000	400 < L ≤ 1200
f	±0.02	±0.05	±0.1	±0.2	±0.3	±0.4	±0.5
m	±0.05	±0.1	±0.2	±0.3	±0.4	±0.5	±0.8
CLASS	STANDARD DIMENSION RANGE						
	L < 10	10 < L ≤ 30	30 < L ≤ 100	100 < L ≤ 300	300 < L ≤ 1000	1000 < L ≤ 3000	400 < L ≤ 1200
f	±0.02	±0.05	±0.1	±0.2	±0.3	±0.4	±0.5
m	±0.05	±0.1	±0.2	±0.3	±0.4	±0.5	±0.8

CLASS	STANDARD DIMENSION RANGE						
	L < 10	10 < L ≤ 30	30 < L ≤ 100	100 < L ≤ 300	300 < L ≤ 1000	1000 < L ≤ 3000	400 < L ≤ 1200
f	±0.02	±0.05	±0.1	±0.2	±0.3	±0.4	±0.5
m	±0.05	±0.1	±0.2	±0.3	±0.4	±0.5	±0.8
CLASS	STANDARD DIMENSION RANGE						
	L < 10	10 < L ≤ 30	30 < L ≤ 100	100 < L ≤ 300	300 < L ≤ 1000	1000 < L ≤ 3000	400 < L ≤ 1200
f	±0.02	±0.05	±0.1	±0.2	±0.3	±0.4	±0.5
m	±0.05	±0.1	±0.2	±0.3	±0.4	±0.5	±0.8

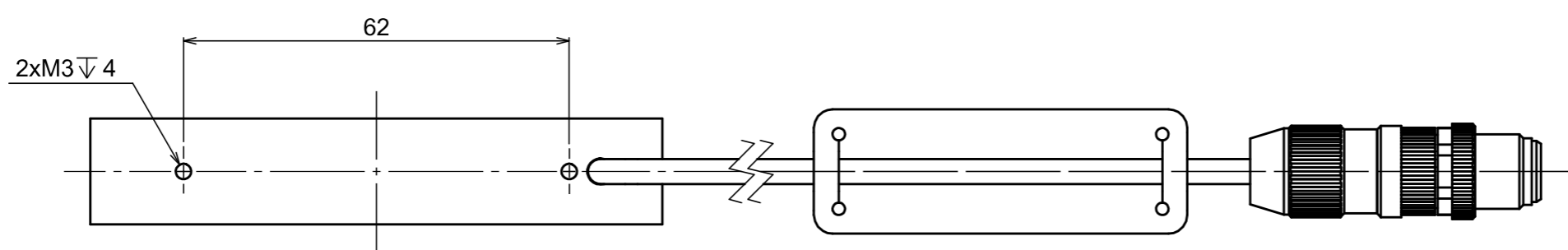
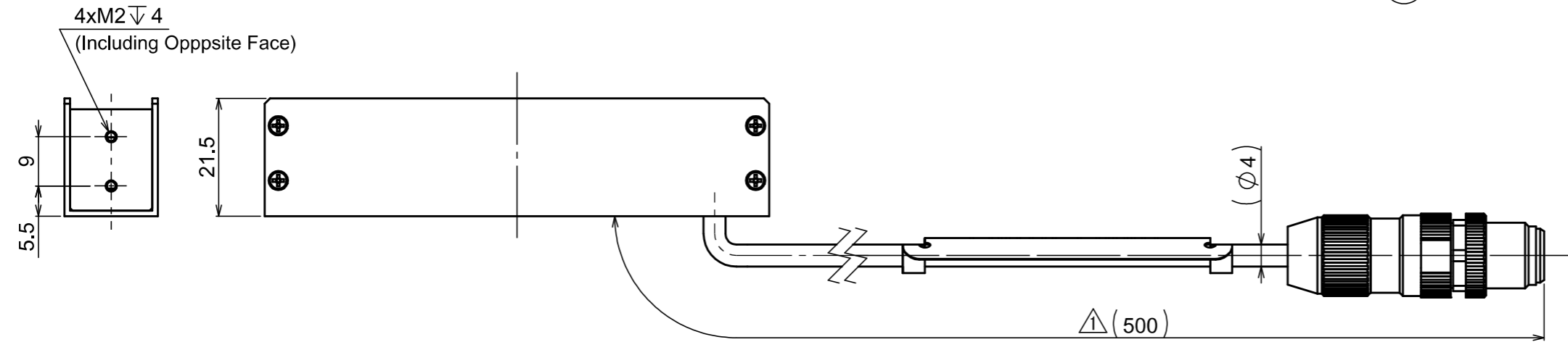
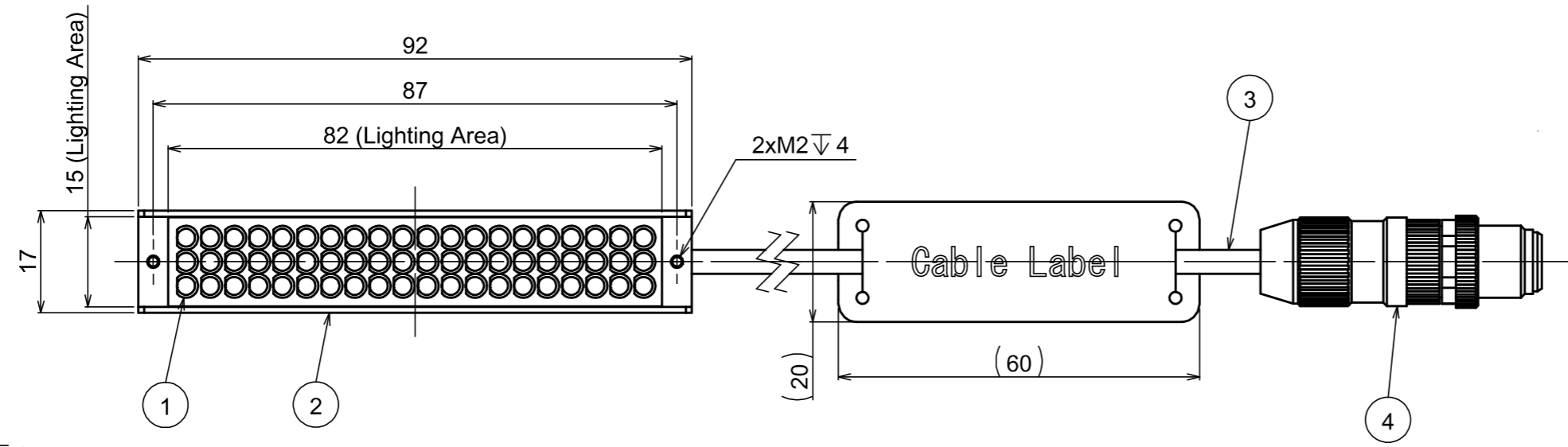
CLASS	STANDARD DIMENSION RANGE						
	L < 10	10 < L ≤ 30	30 < L ≤ 100	100 < L ≤ 300	300 < L ≤ 1000	1000 < L ≤ 3000	400 < L ≤ 1200
f	±0.02	±0.05	±0.1	±0.2	±0.3	±0.4	±0.5
m	±0.05	±0.1	±0.2	±0.3	±0.4	±0.5	±0.8
CLASS	STANDARD DIMENSION RANGE						
	L < 10	10 < L ≤ 30	30 < L ≤ 100	100 < L ≤ 300	300 < L ≤ 1000	1000 < L ≤ 3000	400 < L ≤ 1200
f	±0.02	±0.05	±0.1	±0.2	±0.3	±0.4	±0.5
m	±0.05	±0.1	±0.2	±0.3	±0.4	±0.5	±0.8

CLASS	STANDARD DIMENSION RANGE						
	L < 10	10 < L ≤ 30	30 < L ≤ 100	100 < L ≤ 300	300 < L ≤ 1000	1000 < L ≤ 3000	400 < L ≤ 1200
f	±0.02	±0.05	±0.1	±0.2	±0.3	±0.4	±0.5
m	±0.05	±0.1	±0.2	±0.3	±0.4	±0.5	±0.8
CLASS	STANDARD DIMENSION RANGE						
	L < 10	10 < L ≤ 30	30 < L ≤ 100	100 < L ≤ 300	300 < L ≤ 1000	1000 < L ≤ 3000	400 < L ≤ 1200
f	±0.02	±0.05	±0.1	±0.2	±0.3	±0.4	±0.5
m	±0.05	±0.1	±0.2	±0.3	±0.4	±0.5	±0.8

CLASS	STANDARD DIMENSION RANGE						
	L < 10	10 < L ≤ 30	30 < L ≤ 100	100 < L ≤ 300	300 < L ≤ 1000	1000 < L ≤ 3000	400 < L ≤ 1200
f	±0.02	±0.05	±0.1	±0.2	±0.3	±0.4	±0.5
m	±0.05	±0.1	±0.2	±0.3	±0.4	±0.5	±0.8
CLASS	STANDARD DIMENSION RANGE						
	L < 10	10 < L ≤ 30	30 < L ≤ 100	100 < L ≤ 300	300 < L ≤ 1000	1000 < L ≤ 3000	400 < L ≤ 1200
f	±0.02	±0.05	±0.1	±0.2	±0.3	±0.4	±0.5
m	±0.05	±0.1	±0.2	±0.3	±0.4	±0.5	±0.8

Absolute Max. Rating / 最大定格	DC24V
Total Power / 消費電力合計	0.7W
Mass / 質量	-

M12 Male Connector			
Ref. Drawing	No	Assign	Wire Color
	1	+V	Red/Brown
	2	NC	
	3	-V	Black/Blue
	4	NC	



NO.	PART DESCRIPTION	MODEL NUMBER	QU.	NOTE
6				
5				
4	CONNECTOR	M12 MALE	1	
3	CABLE		1	
2	HOUSING		1	Aluminium Alloy / Glass Bead Blasted Black Anodizing
1	LED(REDF)		60	

△x					FINISH	UNIT:mm	
△x					-		
△x					SURFACE		MODEL NAME
△x5	A-002	2024.Oct.10	Add ID	Suzuki			CV-BA-82X15R-M12
△	A-001	2024.May.10	NEW	-			(IMC-BA-82X15R-M)
MARK	COM-REV	DATE(YMD)	CHANGE	SIGNATURE	MATERIAL		PART NAME
DESIGNED	DRAWN	CHECKED	APPROVED	CHAMFER	-		OUTLINE DRAWING
Yong Peng	Yong Peng	'24.10.10	'24.10.11	TOLERANCE CLASS	-		DRAWING NO.
		土門	達	SCALE	1:1		A21807A0100901A-002
				SHEET			1/1